

Item
Model
ProjectName



MULTIGREEN

MULTIGREEN is the ever-ready ideal solution for economic preparations of buffets of freshly cut vegetables. It plays a double role in the kitchen, first providing fresh cuts for the preparation of raw vegetables, then, thanks to the cutter equipment, it chops and mixes condiments and sauces.

FEATURES

- Very easy and safe to use.
- Set of four discs adapted to the preparation of raw vegetables: grating, slicing, shredding.
- Large vegetables can be fed directly into the loading hopper; a piston presses the vegetables against the cutting discs and grids ensuring an even cut in a short amount of time.
- The loading of long shaped vegetables (carrots, courgettes, cucumbers etc.) is through the special cylindrical opening in the piston itself.
- Stainless steel bowl with a useful volume of 2,5 litres.

Vegetable slicers



DITO**Electrolux**

- The bowl, twin blade rotor and cover of the cutter are fitted directly onto the drive shaft in place of the "FRESH CUT" equipment.

- Speed: 1500 rpm.
- Transparent cover with magnetic safety device.

Specifications

MODEL	MUG 601148	MUGX 601150
External dimensions - mm		
width	216	216
depth	347	347
height	412	412
Cutting capacity - kg/h		
carrots	100	100
Mincing capacity - kg/cycle		
meats	0.8	0.8
Preparation mayonnaise/sauces - kg/cycle		
mayonnaise	1	1
Pastry preparation - kg/cycle	1.2	1.2
Cutting capacity - kg/h		
potatoes	100	100
Power - kW		
installed-electric	0.37	0.37
Speed - rpm	1500	1500
Bowl capacity - Useful volume lt.	2,5	2,5
Net weight - kg.	14.5	14.5
Supply voltage	220...240 V, 1N, 50	220...240 V, 1N, 50



DITO**Electrolux**

Included accessories

CODE	DESCRIPTION	MUG 601148	MUGX 601150
653145	CUTTER EQUIPMENT-PLASTIC BOWL+LID+ROTOR	1	
653047	CUTTER EQUIPMENT-S/S BOWL+LID+ROTOR		1
653144	FRESH CUT HOPPER WITH SAFETY LEVER	1	1
653178	GRATING DISC 2MM	1	1
653171	SHREDDING DISC 2 MM	1	1
653176	SLICING DISC 2 MM	1	1
653177	SLICING DISC 3 MM	1	1

Optional accessories

CODE	DESCRIPTION	MUG 601148	MUGX 601150
653488	3 LITRE PLASTIC BOWL FOR CUTTER-MIXER	✓	✓
653487	3 LITRE S/S BOWL FOR CUTTER-MIXER	✓	✓
653145	CUTTER EQUIPMENT-PLASTIC BOWL+LID+ROTOR	✓	✓
653047	CUTTER EQUIPMENT-S/S BOWL+LID+ROTOR	✓	✓
653007	DISC WITH CORRUGATED BLADES 2MM	✓	✓
653144	FRESH CUT HOPPER WITH SAFETY LEVER	✓	✓
653178	GRATING DISC 2MM	✓	✓
653003	GRATING DISC 3 MM	✓	✓
653004	GRATING DISC 4 MM	✓	✓
653005	GRATING DISC 7 MM	✓	✓
653512	POLYCARBONATE LID FOR VEGETABLE CUTTERS	✓	✓
653171	SHREDDING DISC 2 MM	✓	✓
653006	SHREDDING DISC 4 MM	✓	✓
653176	SLICING DISC 2 MM	✓	✓
653177	SLICING DISC 3 MM	✓	✓
653001	SLICING DISC 5MM	✓	✓
653002	SLICING DISC 7MM	✓	✓
653146	SMOOTH BLADE ROTOR	✓	✓
653050	STORAGE BOX FOR 1 CUTTING PLATE	✓	✓

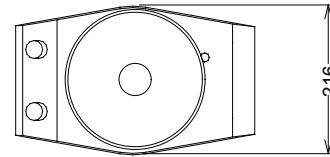
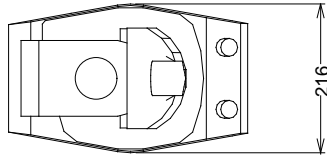
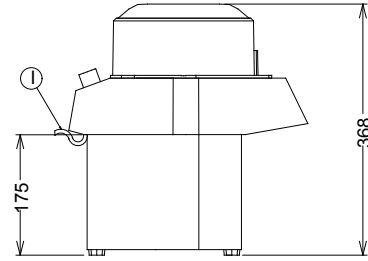
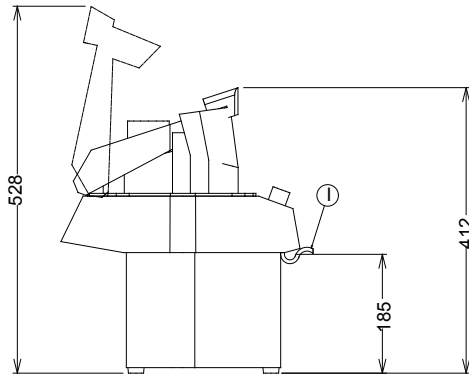


DITO

Electrolux

Installation drawings

601148, 601150



MODEL

I - Electrical connection

**MUG
601148**

220...240 V, 1N, 50

**MUGX
601150**

220...240 V, 1N, 50

The manufacturer reserves the right to modify and make improvements to the products without giving prior warning. Dimensions, illustrations, technical data, weights, etc. are given as an indication only.



www.dito-electrolux.com

Vegetable slicers

AABA010

